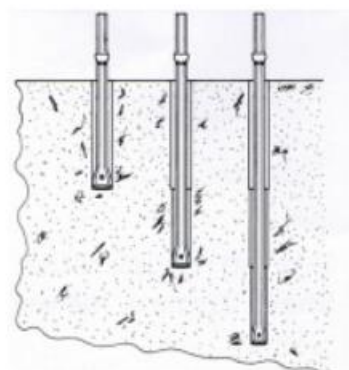
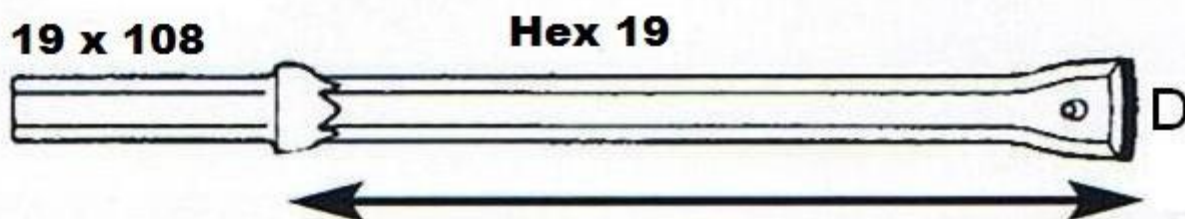


## Integral Drill Steel

Shank sizes available 19X83mm, 19X108mm, 22X83mm, 22X108mm.

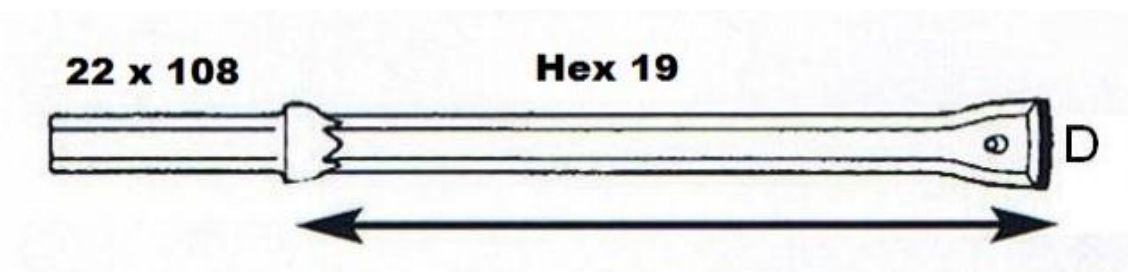


Series 21 & 22



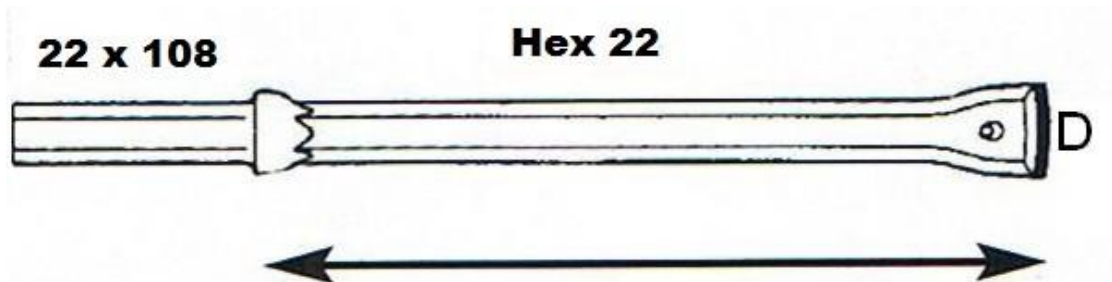
Series 21	Length in mm	Diameter in mm
19X108	400	29
19X108	800	28
19X108	1200	27
19X108	1600	27
19X108	2400	26
19X108	3200	25
Series 22	Length in mm	Diameter in mm
19x108	400	26
19X108	800	25
19X108	1200	24

T:+386 2 870 7959, 7951, 7953; F:+386 2 870 7980; [www.opremaravne.si](http://www.opremaravne.si)



Shank 22x108	Length in mm	Diameter in mm
22X108	400	29
22X108	800	28
22X108	1200	27
22X108	1600	27
22X108	2400	26
22X108	3200	25
22X108	400	26
22X108	800	25
22X108	1200	24

Series 11, 12,13 & 17



T:+386 2 870 7959, 7951, 7953; F:+386 2 870 7980; [www.opremaravne.si](http://www.opremaravne.si)

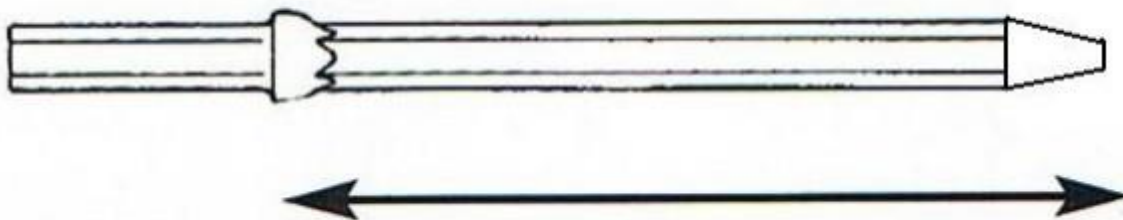
<b>Series 11</b>	<b>Length in mm</b>	<b>Diameter in mm</b>
	800	34
	1600	33
	2400	32
	3200	31
	4000	30
	4800	29
	5600	28
	6400	27
	7200	26
<b>Series 12</b>	800	40
	1600	39
	2400	38
	3200	37
	4000	36
	4800	35
	5600	34
	6400	33
	7200	32
	8000	31
	8800	30
	9600	29
<b>Series 13</b>	400	34
	800	33
	1200	32
	1600	31
	2000	30
<b>Series 17</b>	600	41
	1200	40
	1800	39

## Tapered Drill Steel

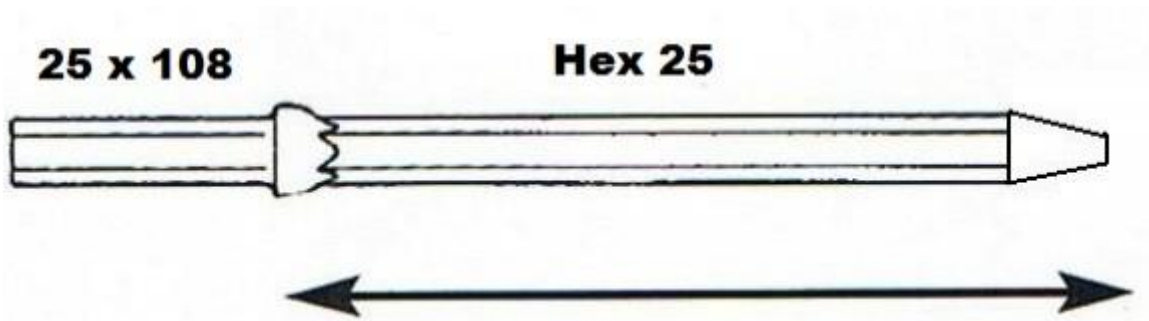
all taper degrees.

**22 x 108**

**Hex 22**



Shank size	Length in mm	Length in feet
22X108	610	2
22X108	1220	4
22X108	1830	6
22X108	1980	6-1/2
22X108	2440	8
22X108	3050	10
22X108	3660	12
22X108	5485	18
22X108	6400	21
22X108	7315	24



Shank size	Length in mm	Length in feet
25X108	1500	4,9
25X108	1830	6
25X108	2000	6-1/2
25X108	2200	7,2
25X108	3050	10

## Tapered Button Bits

all taper degrees.



**7 degree for Hexagon 22.**

<b>Diameter in mm</b>	<b>Length in mm</b>	<b>Inserts</b>	<b>Diameter inserts</b>
33	70	5+2 parabolic	7mm
33	70	6+2 parabolic	7mm
36	70	5+2 parabolic	5x8mm + 2x7
36	70	6+2 parabolic	6x8mm + 2x7
38	70	5+2 parabolic	5x9mm + 2x7
38	70	6+2 parabolic	6x9mm + 2x7
38	70	4 parabolic	4x9mm
40	70	5+2 parabolic	5x9mm + 2x7
40	70	6+2 parabolic	6x9mm + 2x7

**11 degree for Hexagon 22.**

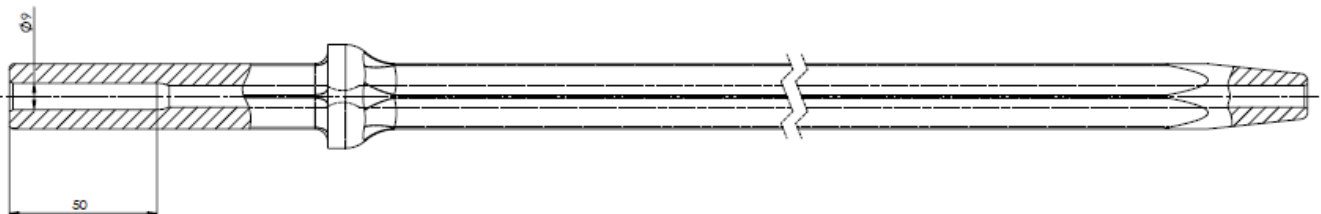
<b>Diameter in mm</b>	<b>Length in mm</b>	<b>Inserts</b>	<b>Diameter inserts</b>
33	50	5+2 parabolic	7mm
33	50	6+2 parabolic	7mm
36	50	5+2 parabolic	5x8mm + 2x7
36	50	6+2 parabolic	6x8mm + 2x7
38	50	5+2 parabolic	5x9mm + 2x7
38	50	6+2 parabolic	6x9mm + 2x7
38	50	4 parabolic	4x9mm
40	50	5+2 parabolic	5x9mm + 2x7
40	50	6+2 parabolic	6x9mm + 2x7

**12 degree for Hexagon 22.**

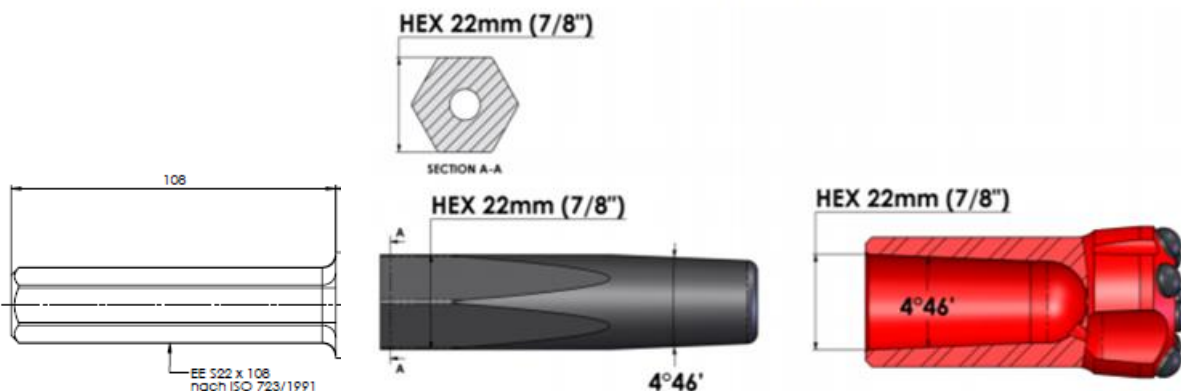
Diameter in mm	Length in mm	Inserts	Diameter inserts
32	50	5+2 parabolic	7mm
32	50	6+2 parabolic	7mm
33	50	5+2 parabolic	7mm
33	50	6+2 parabolic	7mm
36	50	5+2 parabolic	5x8mm + 2x7
36	50	6+2 parabolic	6x8mm + 2x7
38	50	5+2 parabolic	5x9mm + 2x7
38	50	6+2 parabolic	6x9mm + 2x7
38	50	4 parabolic	4x9mm
40	50	5+2 parabolic	5x9mm + 2x7
40	50	6+2 parabolic	6x9mm + 2x7

OPREMA RAVNE D.O.O has on request 4deg.46' rods & bits.

**TECHNICAL DATA SHEET**



**22mm (7/8") X 4°46'**



Ask for other thread rods, bits, couplings based on actual needs

T:+386 2 870 7959, 7951, 7953; F:+386 2 870 7980; [www.opremaravne.si](http://www.opremaravne.si)